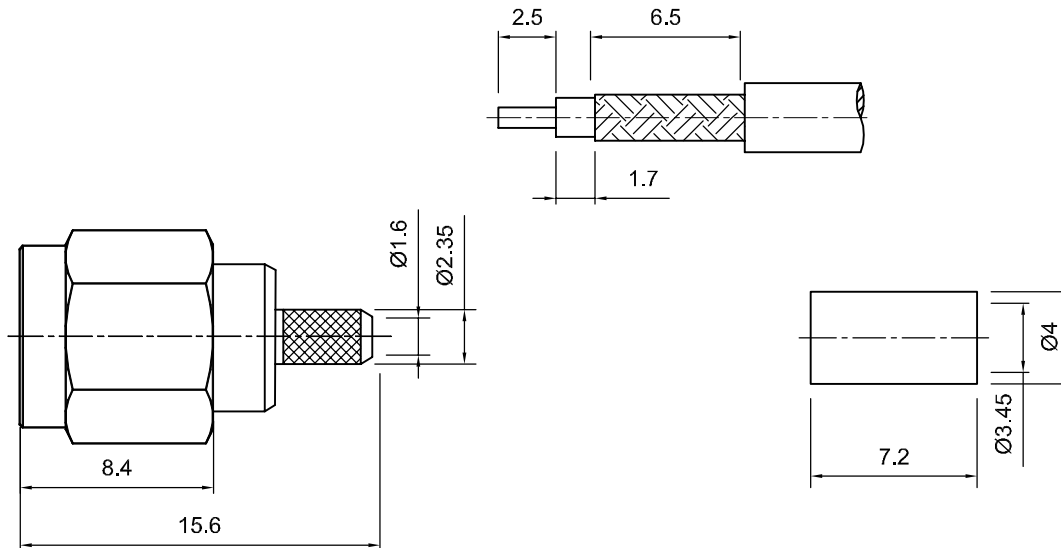



Tolerances 1-20=+/-0.2 20-30=+/-0.3 30-40=+/-0.4 40-50=+/-0.5 50-100=+/-0.75 100-300=+/-1.5 Angles=+/-1 Dimensions are in Millimeters	Revisions	Approved	Date
	Description/Approved/Date	M.H.	08/21/99
		Checked	Date
		M.H.	08/21/99
	Drawn	Date	
	K.R.E.	08/21/99	
NOTES (plating thickness in micro-inches): 1. Per QQ-B-626 2. Per QQ-S-764 3. Per QQ-C-530 4. Per QQ-B-750		5. Per MIL-P-19468 6. Per ZZ-R-765 7. Per WW-T-799 8. Gold pl. 50 min. over nickel pl. 50 min. over copper strike	9. Nickel pl. 100 min. over copper strike 10. Per QQ-P-35 11. Gold pl. 30 min. over nickel pl. 50 min. over copper strike

**RECOMMENDED
CABLE STRIPPING DIM'S**



ITEM	MATERIAL	FINISH	 Lighthorse Technologies, Inc. 5640 Kearny Mesa Road, Suite N San Diego, California 92111 Part Number: LTI-SASRM11GT-316
Connector Body	Brass, Note 1	Gold, Note 8	
Center Contact: Male	Brass, Note 1	Gold, Note 11	
Insulation	Teflon, Note 5	None	
Ferrule	Annealed Copper, Note 7	Same as body	
Gasket	--	--	
Hex Nut	--	--	
Lock Washer	--	--	
Description			SMA reverse polarity crimp plug for RG-316
Description			Gold plated brass body, Teflon dielectric.
Scale	Drawing No.	File Name	
3:1		SASRM11-316	