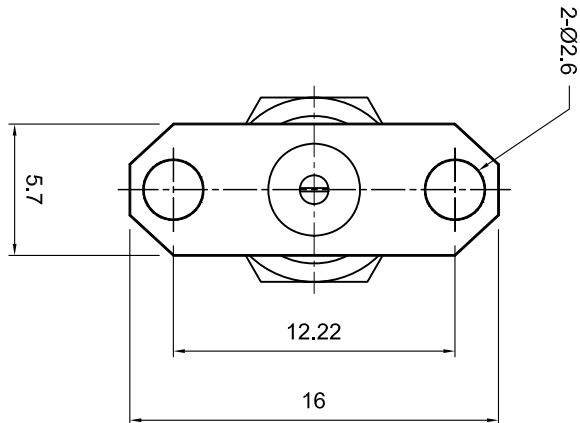
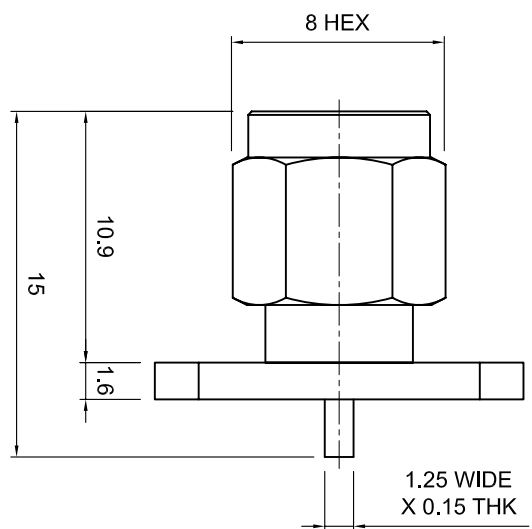


Tolerances 1-20=+/-0.2 20-30=+/-0.3 30-40=+/-0.4 40-50=+/-0.5 50-100=+/-0.75 100-300=+/-1.5 Angles=+/-1	Revisions	
	Description/Approved/Date	Approved M.H. Date 04/01/00
NOTES (plating thickness in microinches): 1. Per QQ-B-626 2. Per QQ-S-764 3. Per QQ-C-530 4. Per QQ-B-750 5. Per MIL-P-19488 6. Per ZZ-R-765 7. Per WW-1-799 8. Gold pl. 5 min. over nickel pl. 50 min. over copper strike 9. Nickel pl. 100 min. over copper strike 10. Per QQ-P-35 11. Gold pl. 30 min. over nickel pl. 50 min. over copper strike	Checked M.H. Date 03/29/00	Drawn K.R.E. Date 03/27/00
	Dimensions are in Millimeters	
	Description	
	Date	



ITEM	MATERIAL	FINISH
Connector Body	Brass, Note 1	Gold, Note 8
Center Contact: Male	Brass, Note 1	Gold, Note 11
Insulation	Teflon, Note 5	None
Ferrule	--	--
Gasket	--	--
Hex Nut	--	--
Lock Washer	--	--

Lighthorse Technologies, Inc.
5640 Keamy Mesa Rd, Suite N
San Diego, California 92111
Part Number: **LTI-SASMT2NFGT**

Description	SMA panel mount plug with solder tab termination. Gold	
Scale	3:1	File Name SASMT2NF