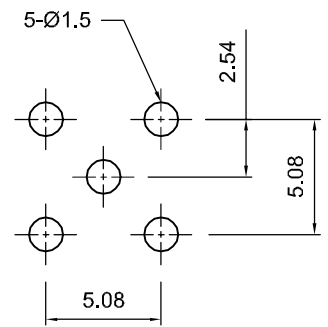
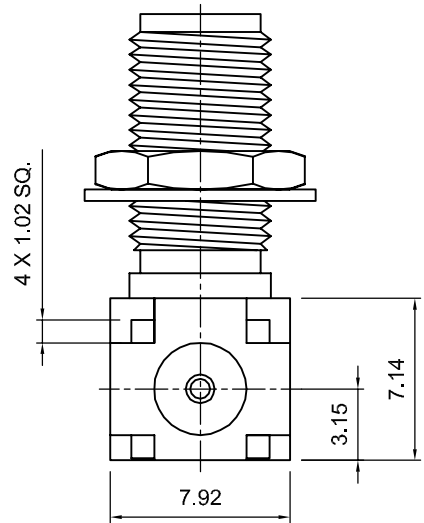
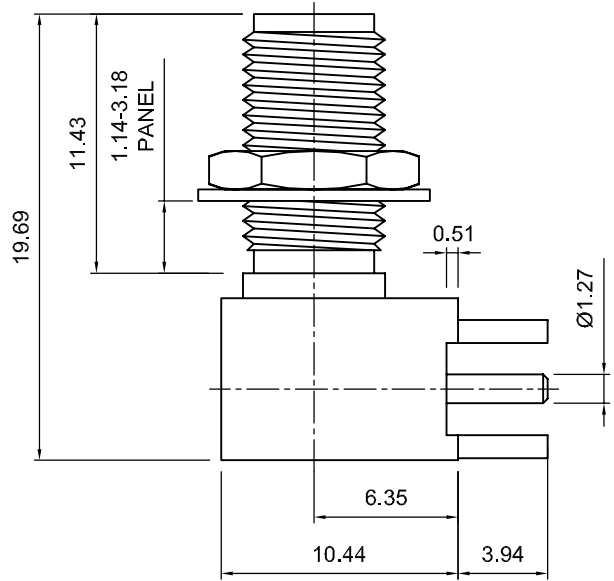


RoHS Compliant

**Tolerances**  
 1-20=+/-0.2  
 20-30=+/-0.3  
 30-40=+/-0.4  
 40-50=+/-0.5  
 50-100=+/-0.75  
 100-300=+/-1.5  
 Angles=+/-1  
**Dimensions are in Millimeters**

Revisions Description/Approved/Date	Approved M.H.	Date 2/27/00
	Checked M.H.	Date 2/28/00
	Drawn K.R.E.	Date 2/27/00
NOTES (plating thickness in micro-inches): 1. Per QQ-B-626 2. Per QQ-S-764 3. Per QQ-C-530 4. Per QQ-B-750 5. Per MIL-P-19468 6. Per ZZ-R-765 7. Per WW-T-799 8. Gold pl. 5 min. over nickel pl. 50 min. over copper strike 9. Nickel pl. 100 min. over copper strike 10. Per QQ-P-35 11. Gold pl. 30 min. over nickel pl. 50 min. over copper strike		



RECOMMENDED PCB LAYOUT

ITEM	MATERIAL	FINISH
Connector Body	Brass, Note 1	Gold, Note 8
Center Contact: Female	Beryllium Copper, Note 3	Gold, Note 11
Insulation	Teflon, Note 5	None
Ferrule	--	--
Gasket	--	--
Hex Nut	Brass, Note 1	Same as body
Lock Washer	Brass, Note 1	Same as body



Lighthouse Technologies, Inc.  
 5640 Kearny Mesa Road, Suite N  
 San Diego, California 92111  
 Part Number:  
**LTI-SALF54LGT**

Description SMA right angle PCB thru hole jack, long barrel. Gold plated brass body, teflon dielectric.		
Scale 3:1	Drawing No. SMA/SALF54L	File Name SALF54L