

All components used in this connector conform to RoHS standards.



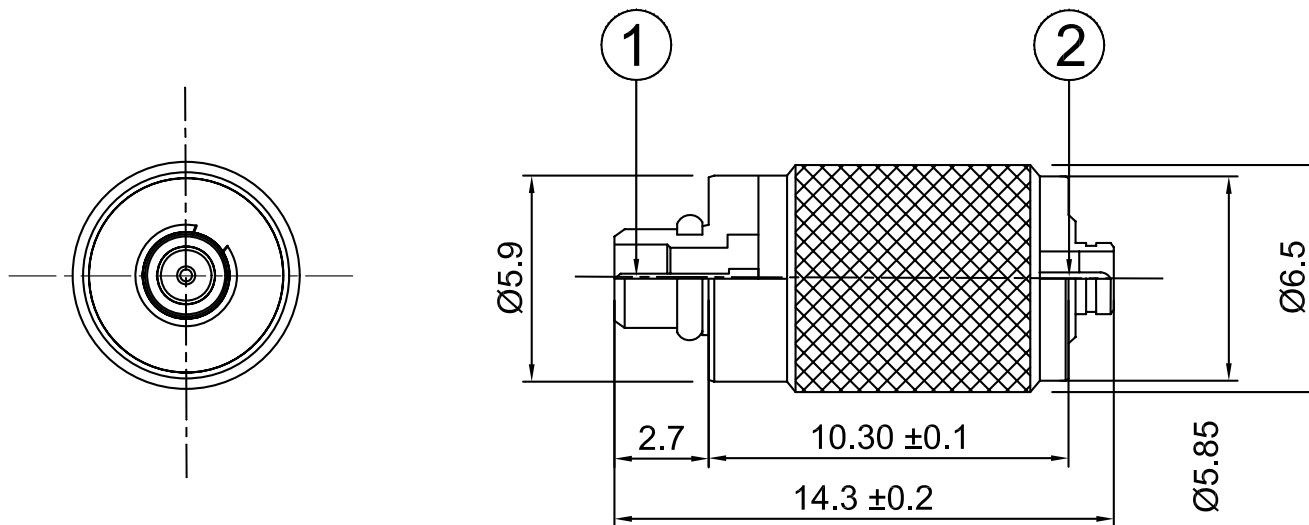
Tolerances

- 1-20=+/-0.2
- 20-30=+/-0.3
- 30-40=+/-0.4
- 40-50=+/-0.5
- 50-100=+/-0.75
- 100-300=+/-1.5
- Angles=+/-1

Dimensions are in Millimeters

Revisions Description/Approved/Date	Approved MH	Date 11/25/08
	Checked LM	Date 11/25/08
	Drawn SA	Date 11/25/08
NOTES (plating thickness in micro-inches): 1. Per QQ-B-626 2. Per QQ-S-764 3. Per QQ-C-530 4. Per QQ-B-750 5. Per MIL-P-19468 6. Per ZZ-R-765 7. Per WW-T-799 8. Gold pl. 5 min. over nickel pl. 50 min. over copper strike 9. Nickel pl. 100 min. over copper strike 10. Per QQ-P-35 11. Gold pl. 30 min. over nickel pl. 50 min. over copper strike		

Approved by:
Date:



ITEM	MATERIAL	FINISH	Lighthouse Technologies, Inc. 9511 Ridgehaven Court, Suite B San Diego, California 92123 Part Number: LTI-AIPXMCSMMGT		
Connector Body	1) Brass 2) P.Bronze	Gold	Description MMCX Plug to IPX Plug Adapter -- Scale: 4:1 Drawing No.: -- File Name: AIPXMCSMMGT		
Center Contact:--	Be. Copper	Gold			
Insulation	Teflon	--			
Ferrule	--	--			
Gasket	--	--			
Hex Nut	--	--			
Lock Washer	--	--			