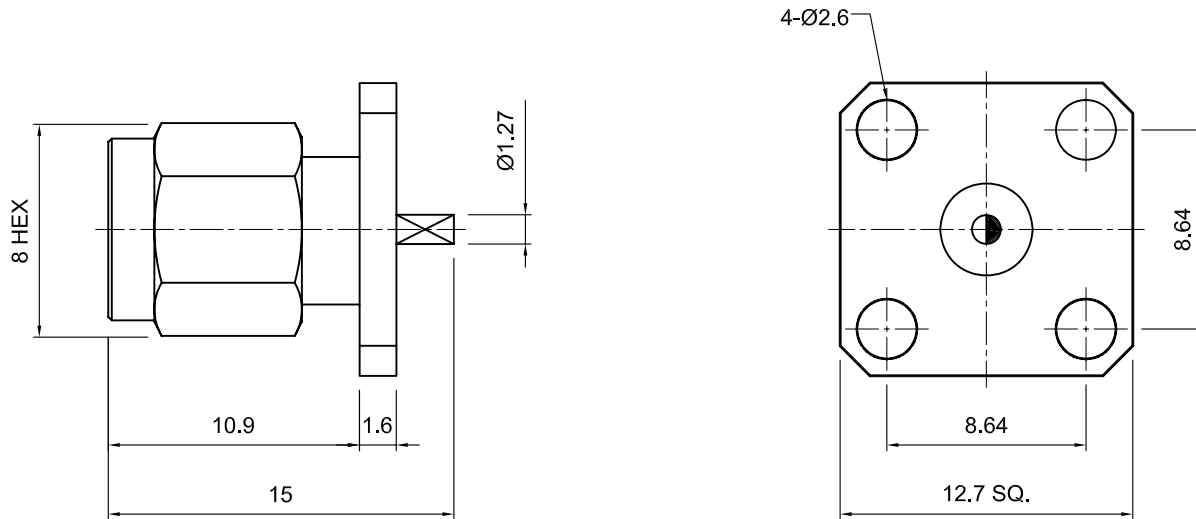



<b>Tolerances</b> 1-20=+/-0.2 20-30=+/-0.3 30-40=+/-0.4 40-50=+/-0.5 50-100=+/-0.75 100-300=+/-1.5 Angles=+/-1 <b>Dimensions are in Millimeters</b>	Revisions	Approved	Date
	Description/Approved/Date	M.H.	04/19/00
	1. Part number change, effective 12/01/03	Checked M.H.	Date 04/20/00
		Drawn K.R.E.	Date 04/20/00
NOTES (plating thickness in micro-inches): 1. Per QQ-B-626 2. Per QQ-S-764 3. Per QQ-C-530 4. Per QQ-B-750 5. Per MIL-P-19468 6. Per ZZ-R-765 7. Per WW-T-799 8. Gold pl. 5 min. over nickel pl. 50 min. over copper strike 9. Nickel pl. 100 min. over copper strike 10. Per QQ-P-35 11. Gold pl. 30 min. over nickel pl. 50 min. over copper strike			



ITEM	MATERIAL	FINISH	 <b>Lighthouse Technologies, Inc.</b> 5640 Kearny Mesa Rd., Suite N San Diego, California 92111 Part Number: <b>LTI-SASM82SFGT</b>		
Connector Body	Brass, Note 1	Gold, Note 8			
Center Contact: Male	Brass, Note 1	Gold, Note 11			
Insulation	Teflon, Note 5	None			
Ferrule	--	--	Description SMA panel mount plug with half round post termination and square flange. Gold plated brass body, teflon dielectric.		
Gasket	--	--			
Hex Nut	--	--	Scale	Drawing No.	File Name
Lock Washer	--	--	3:1	SMA/SASM82SF	SASM82SF